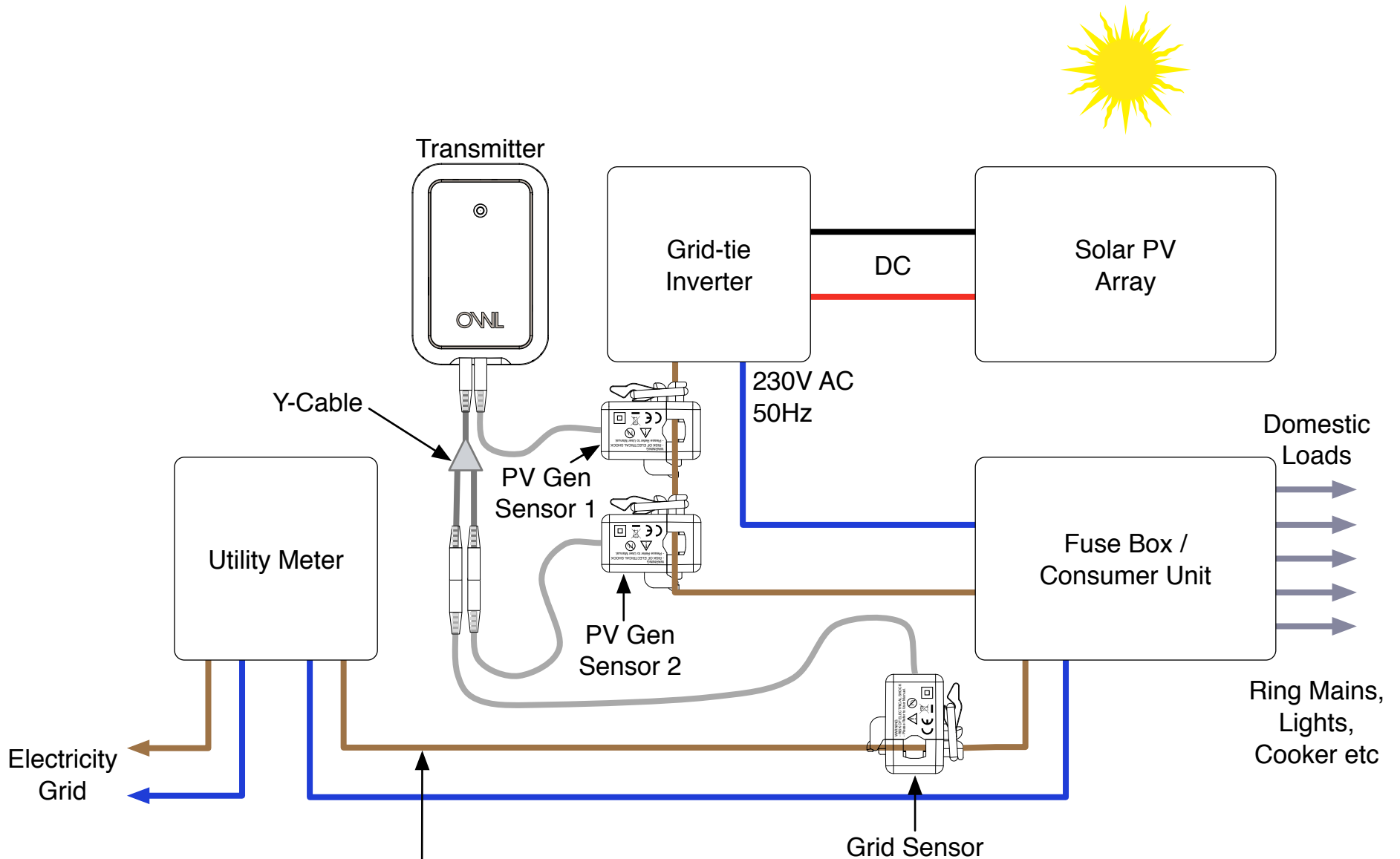


Normal Convention with Live cable to Consumer Unit being the right most cable connected to the Meter (Brown or Red normally covered with Grey sheath)

Type 1 - OWL Intuition-pv



Normal Convention with Live cable to Consumer Unit being the right most cable connected to the Meter (Brown or Red normally covered with Grey sheath)

Type 2 - OWL Intuition-pv (Y-Cable Pack Required)

